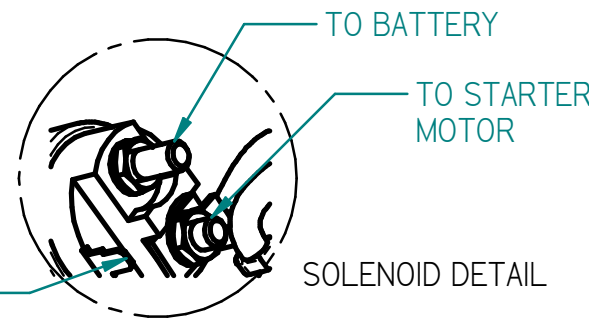
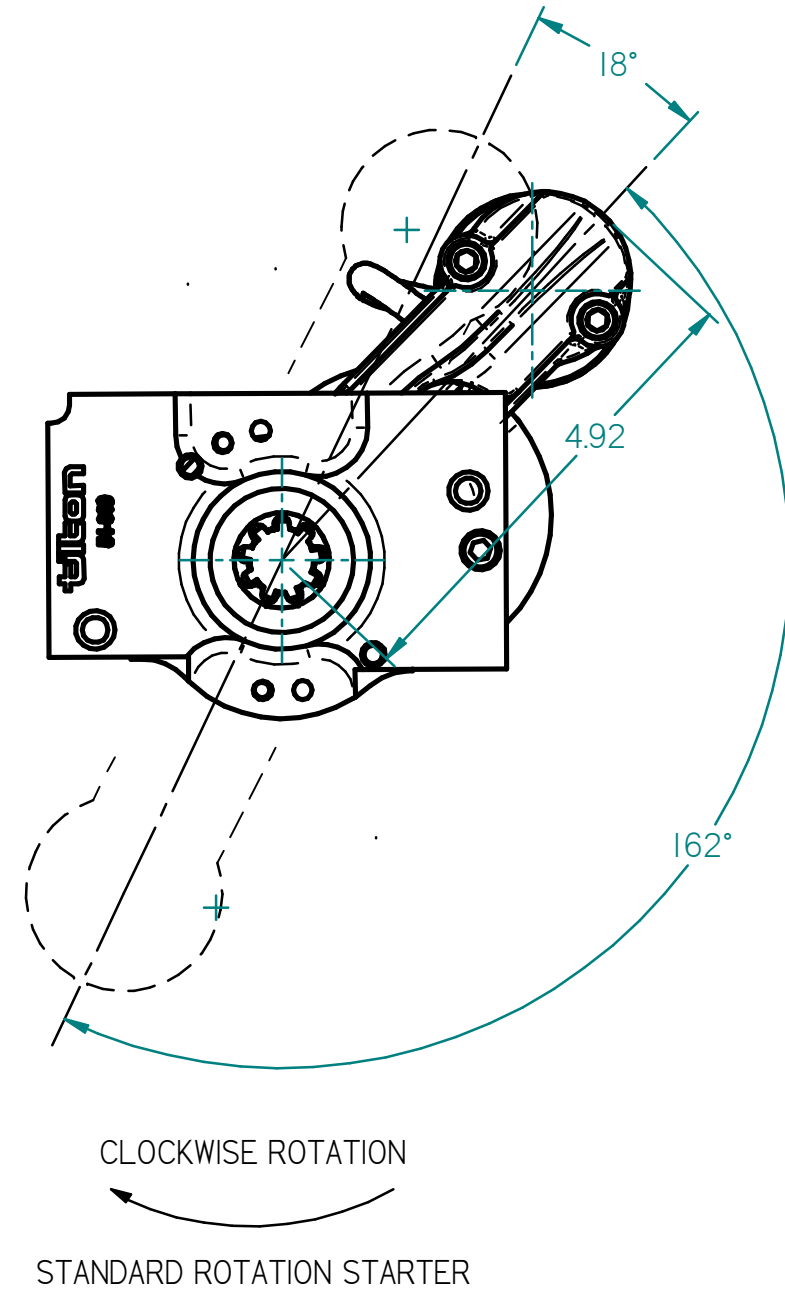
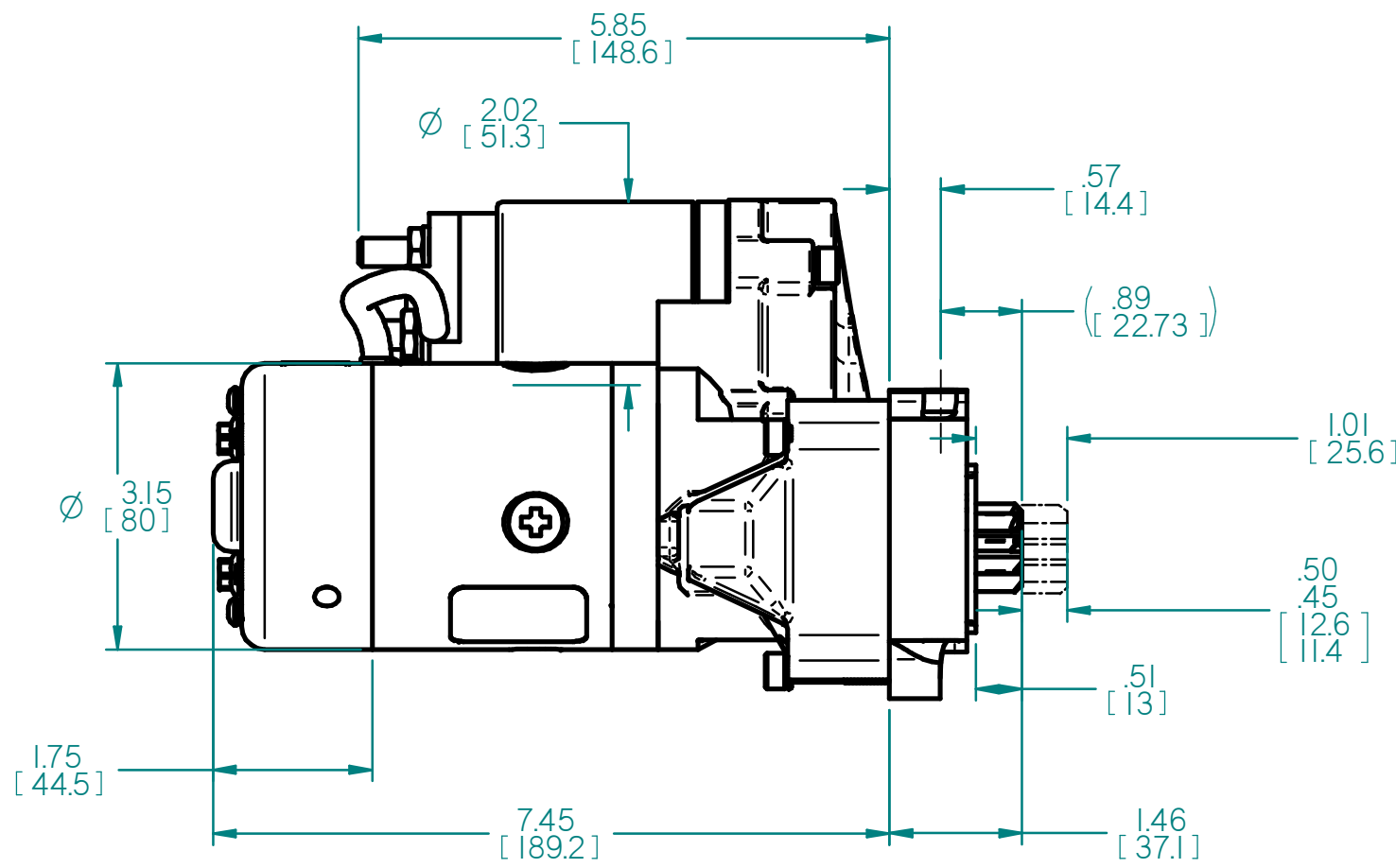


ZONE	CHKD	DATE	REV	ECN	CHANGE OR ADDITION
------	------	------	-----	-----	--------------------



- NOTES:
1. STARTER CAN BE INDEXED INTO THREE POSITIONS AS SHOWN
  2. SET BACKLASH BETWEEN PINION AND RING GEAR TO .020" +/- .010"
  3. CHECK FOR .100" +/- .040" PINION OFFSET FROM RING GEAR
  4. 9 TOOTH, 12 PITCH PINION, .805" (20.45mm) PITCH DIAMETER
  5. STARTER ASSY WEIGHS 11.2 LBS (5.1kg)
  6. 3.0 HP, 2.2 kw MOTOR
  7. CHEVY V8, SML & BIG BLK 153/168T FW
  8. DIMENSIONS ARE NOMINAL

IN / [mm]

<b>TILTON ENGINEERING, INC.</b>		FAX 805/688-2745	
25 EASY STREET, P.O. BOX 1787, BUELLTON, CA 93427 805/688-2353			
<b>TITLE:</b>		SEVERE DUTY SUPER STARTER	
		CHEVY I53/I68 TOOTH FW, W/54-069 NOSE	
DRAWN BY	LUND	CHKD	SCALE 1 : 2
P/N	54-40001	DATE	10/15/13
		SHEET	1 OF 1
			DWG <b>5908</b>

This document contains proprietary information of TILTON ENGINEERING, INC., and its receipt or possession does not convey the rights to reproduce, disclose its contents, or to manufacture, use or sell anything it may describe. Reproduction, disclosure, or use without specific written authorization of TILTON ENGINEERING INC. is strictly forbidden.

**TILTON ENGINEERING**