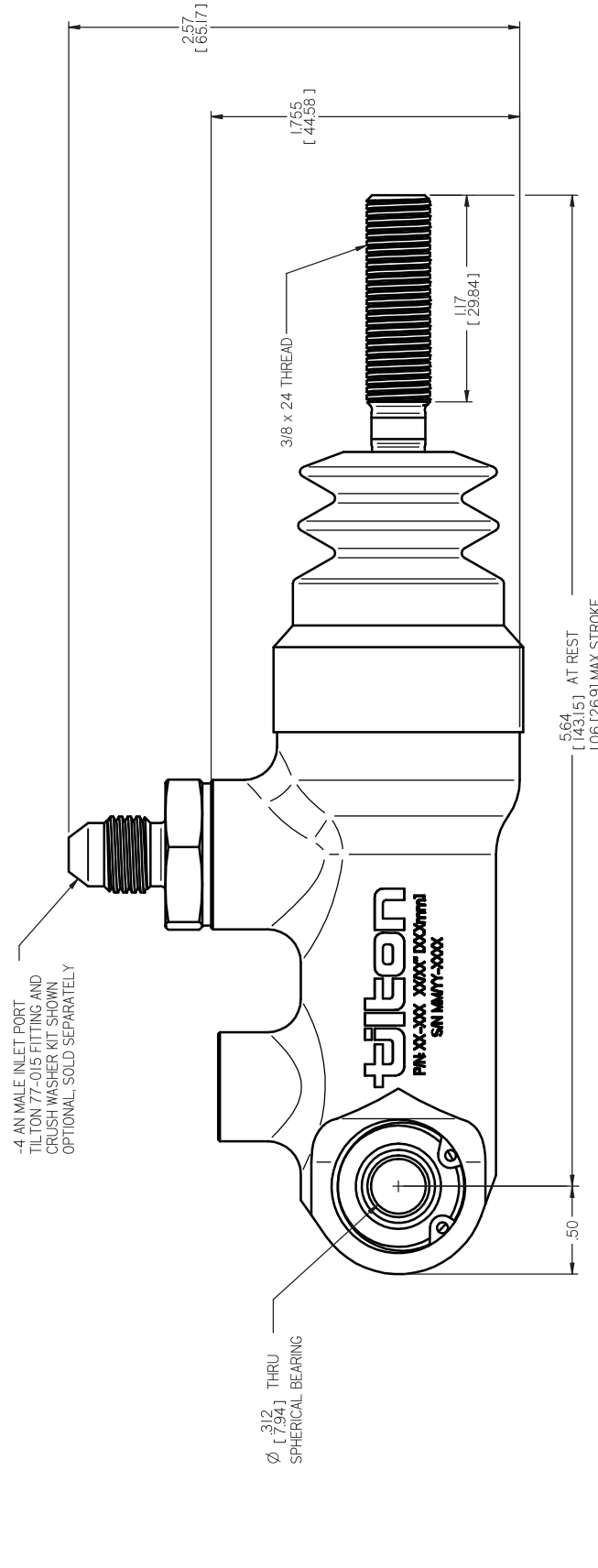
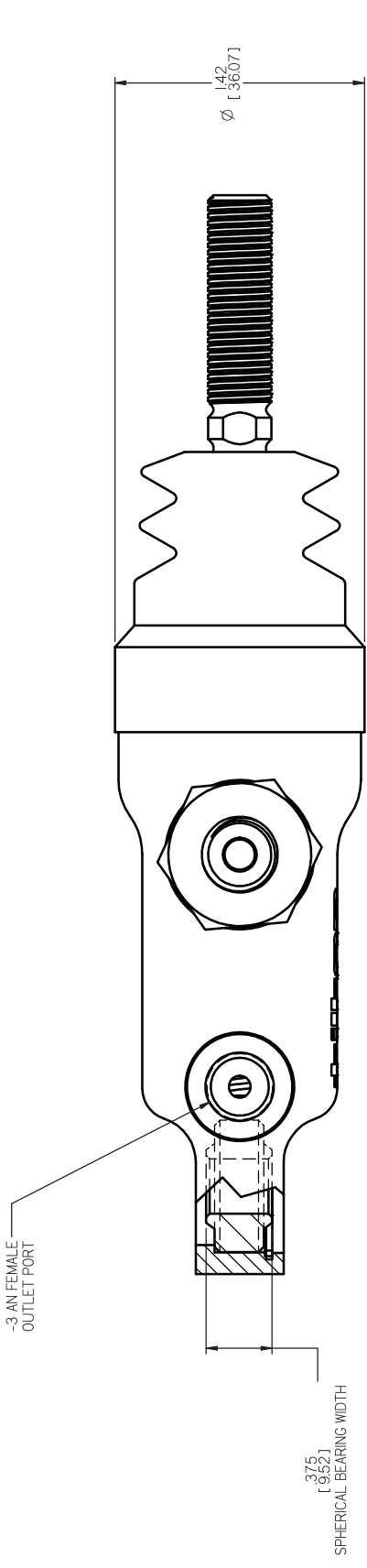


4	3	2	1
ZONE	CHK'D	DATE	REV
ECN	CHANGE OR ADDITION		



This document contains proprietary information of TILTON ENGINEERING, INC., and its receipt, use or possession does not convey the rights to reproduce, disclose its contents, or to manufacture, use or sell anything it may describe. Reproduction, disclosure, or use without specific written authorization of TILTON ENGINEERING, INC. is strictly forbidden.

TILTON ENGINEERING

TILTON ENGINEERING, INC.
25 EASY STREET, P.O. BOX 1787, BUELLTON, CA 93427 805/688-2353
FAX 805/688-2745

TITLE: 78 SERIES M/C PRODUCTION ASSEMBLY DRAWING

DRAWN BY	LUND	CHKD	WAHL	SCALE	2 : 1	SIZE	C
P/N	SEE TABLE	DATE	3/15/2016	SHEET	2 OF 2	REV	NC

- NOTES:
1. DIMENSIONS AND TOLERANCES PER ASME Y14.5 - 2009
 2. UNLESS OTHERWISE SPECIFIED, ALL DIMENSIONS ARE IN INCHES (MM).