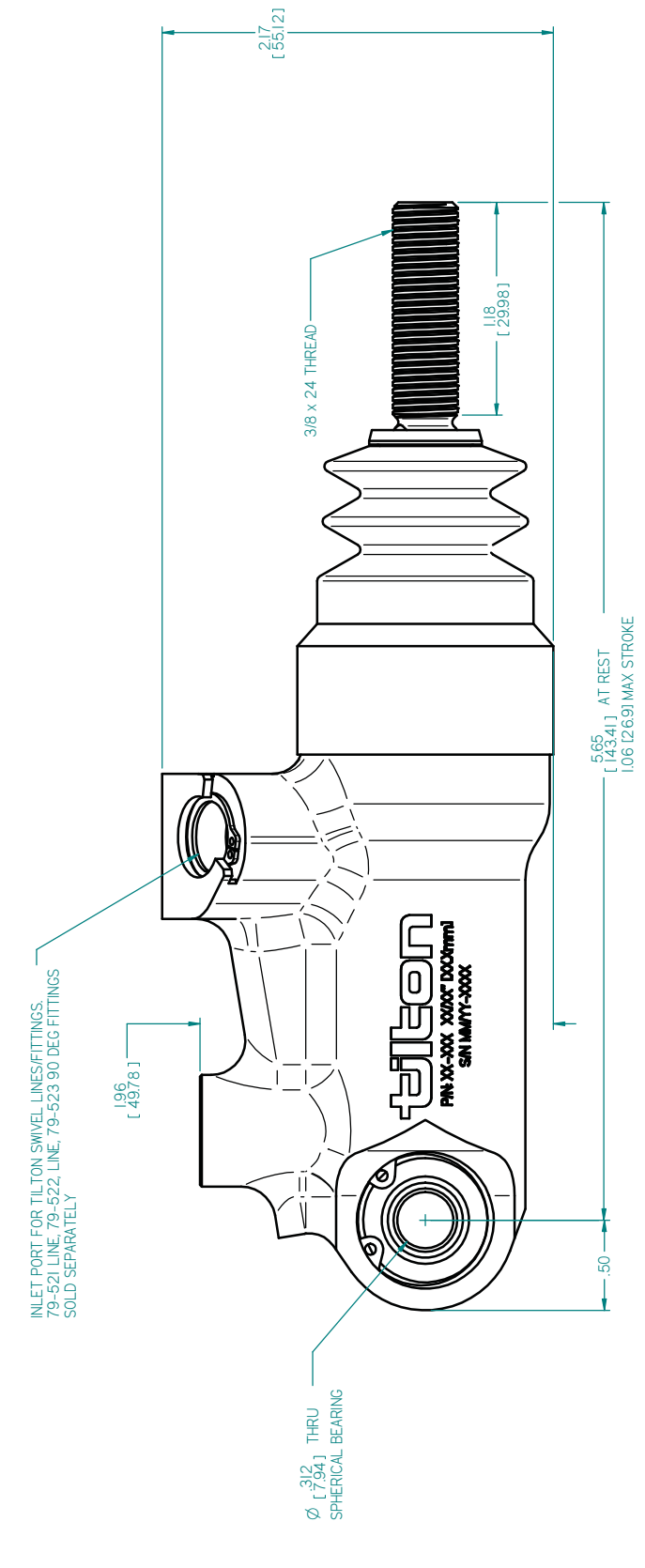
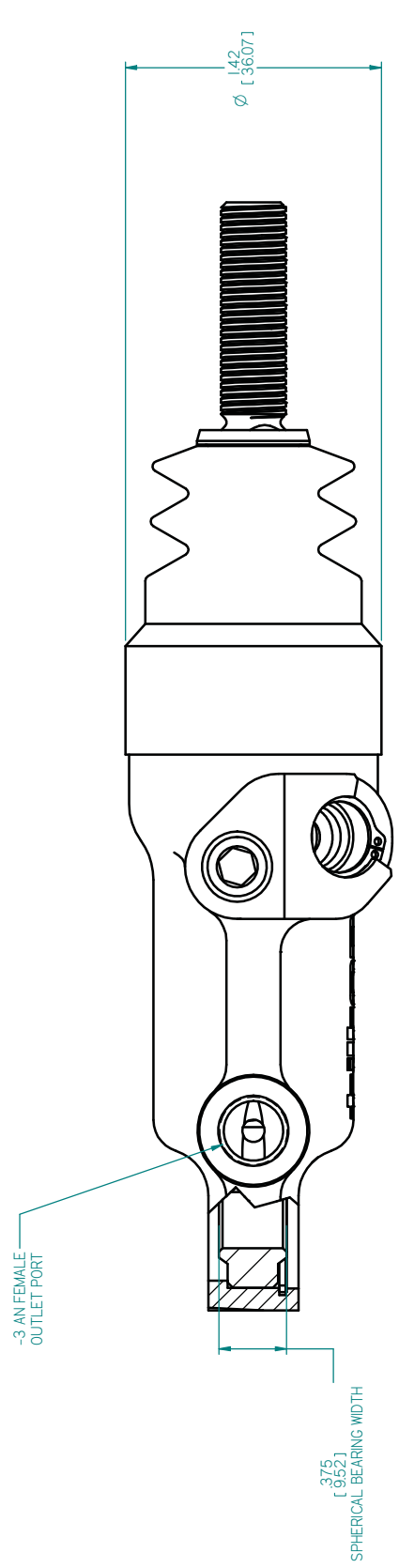


1	2	3	4
ZONE	CHK'D	DATE	REV
ECN	CHANGE OR ADDITION		



TILTON ENGINEERING, INC.
 25 EASY STREET, P.O. BOX 1787, BUELLTON, CA 93427 805/688-2353
 FAX 805/688-2745

TITLE: 79 SERIES M/C PRODUCTION ASSEMBLY DRAWING
 ALL BORE SIZES

DRAWN BY	LUND	CHKD	WAHL
PIN	SEE TABLE	DATE	8/10/2017
SCALE	2 : 1	SIZE	C
DWG	6516	REV	NC
SHEET		ZOF 2	

- NOTES:**
1. DIMENSIONS AND TOLERANCES PER ASME Y14.5 - 2009
 2. UNLESS OTHERWISE SPECIFIED, ALL DIMENSIONS ARE IN INCHES (MM).