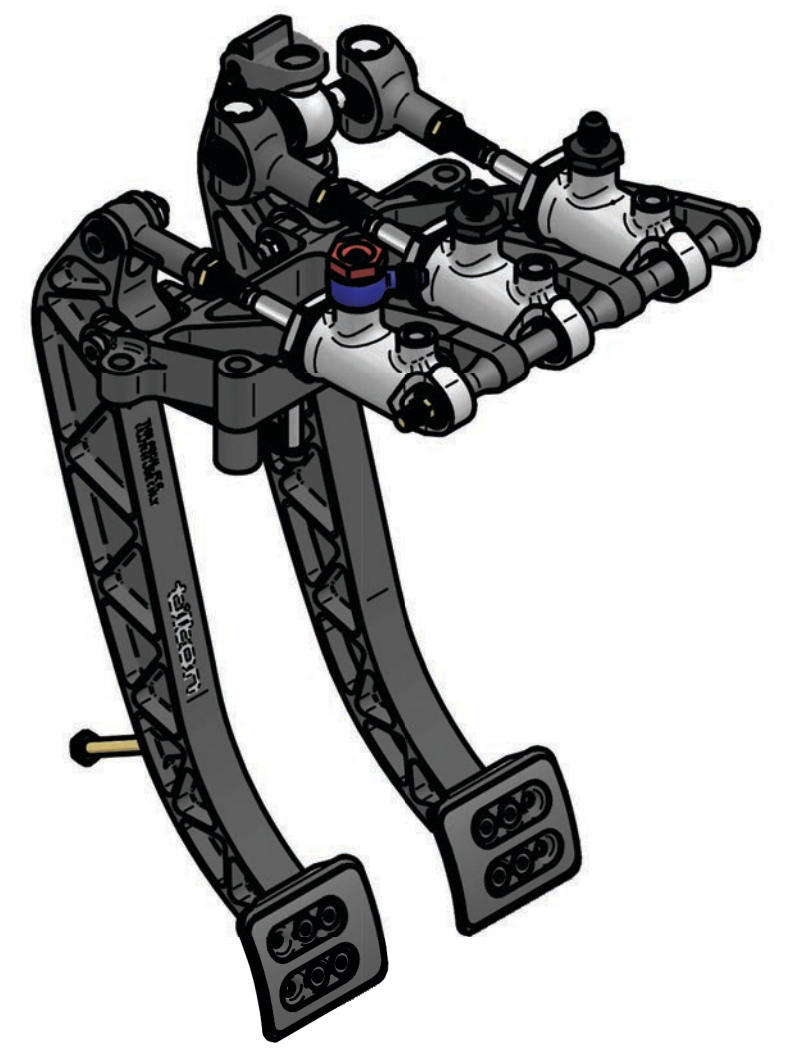


ZONE	CHK'D	DATE	REV	ECN	CHANGE OR ADDITION
ALL	LUND	10/10/13	A	1102	ADDED DUAL DIMENSIONS



-4 AN MALE INLET BANJO
GOODRIDGE P/N 776-04-06 OR 776-04-M14 FITTING
GOODRIDGE P/N 775-06 BANJO BOLT
GOODRIDGE P/N CW901-6 CRUSH WASHER (2 REQUIRED)
AVAILABLE FROM ANY GOODRIDGE DEALER

-4AN MALE INLET FITTING
TILTON ENGINEERING P/N 77-015

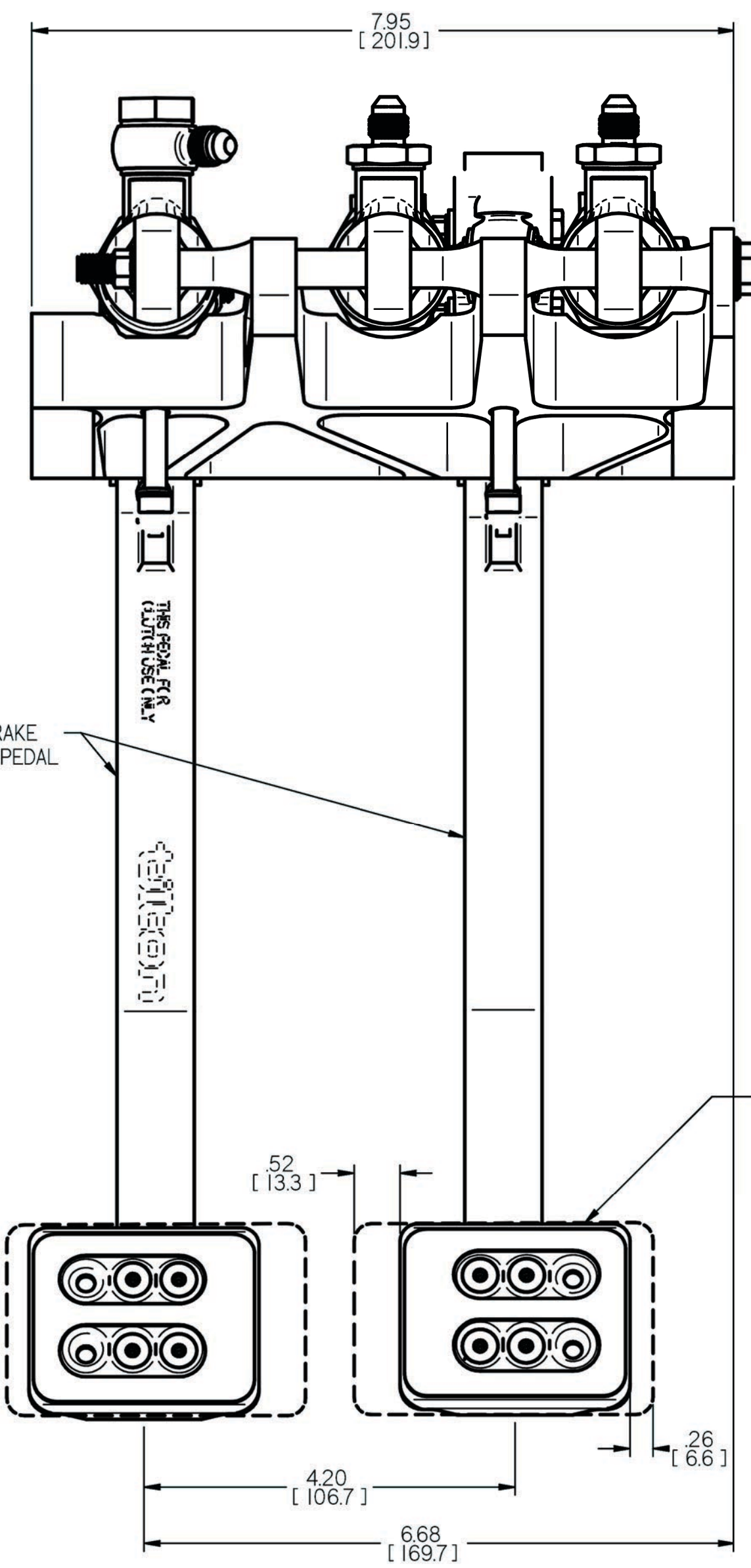
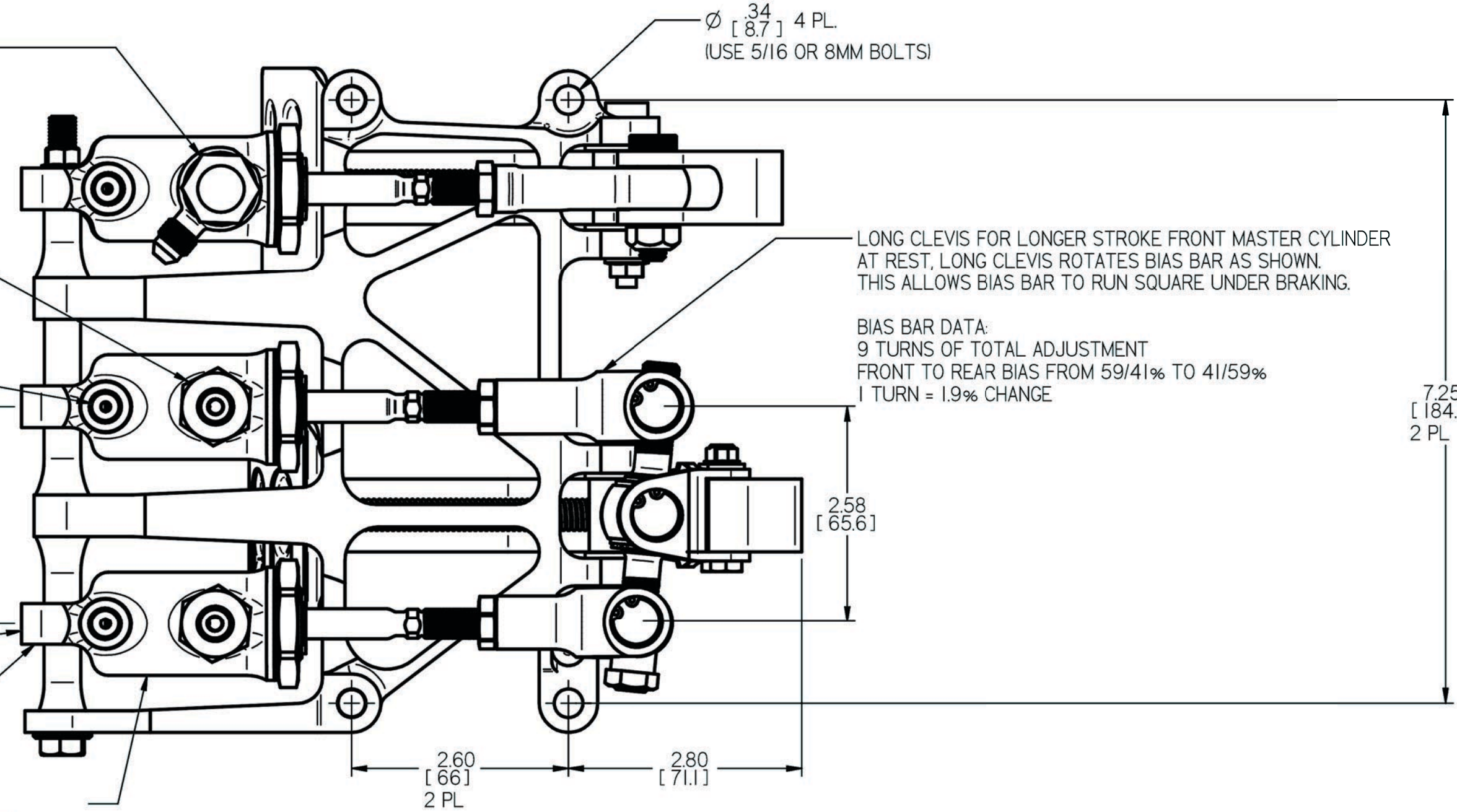
INLET FITTINGS ARE NOT INCLUDED WITH MASTER CYLINDERS.
SUITABLE FITTINGS FOR YOUR PARTICULAR INSTALLATION
MUST BE PURCHASED SEPARATELY.

-3 AN FEMALE OUTLET PORT

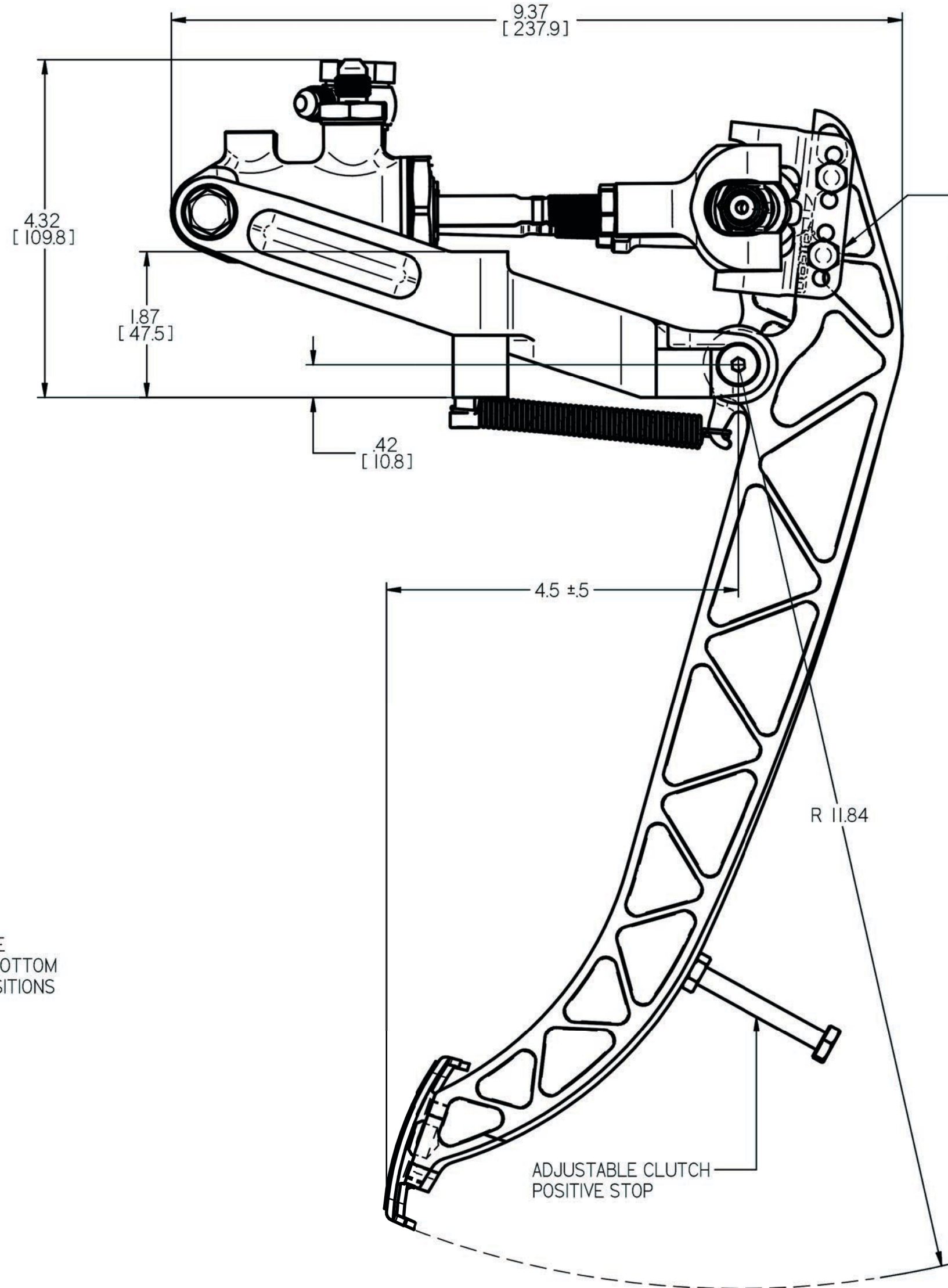
TILTON ENGINEERING
77 SERIES MASTER CYLINDER
5/8" TO 1" BORE

MASTER CYLINDER SPHERICAL BEARINGS
POSITIVELY RETAINED WITH CIRCLIPS.

BLUEPRINTED MASTER CYLINDER CUT-OFF PORT TRAVEL.
CUTOFF PORT DISTANCE MAY BE ALTERED FOR INCREASED/DECREASED
PEDAL FREE PLAY USING VARIABLE THICKNESS SHIMS AVAILABLE SEPARATELY.

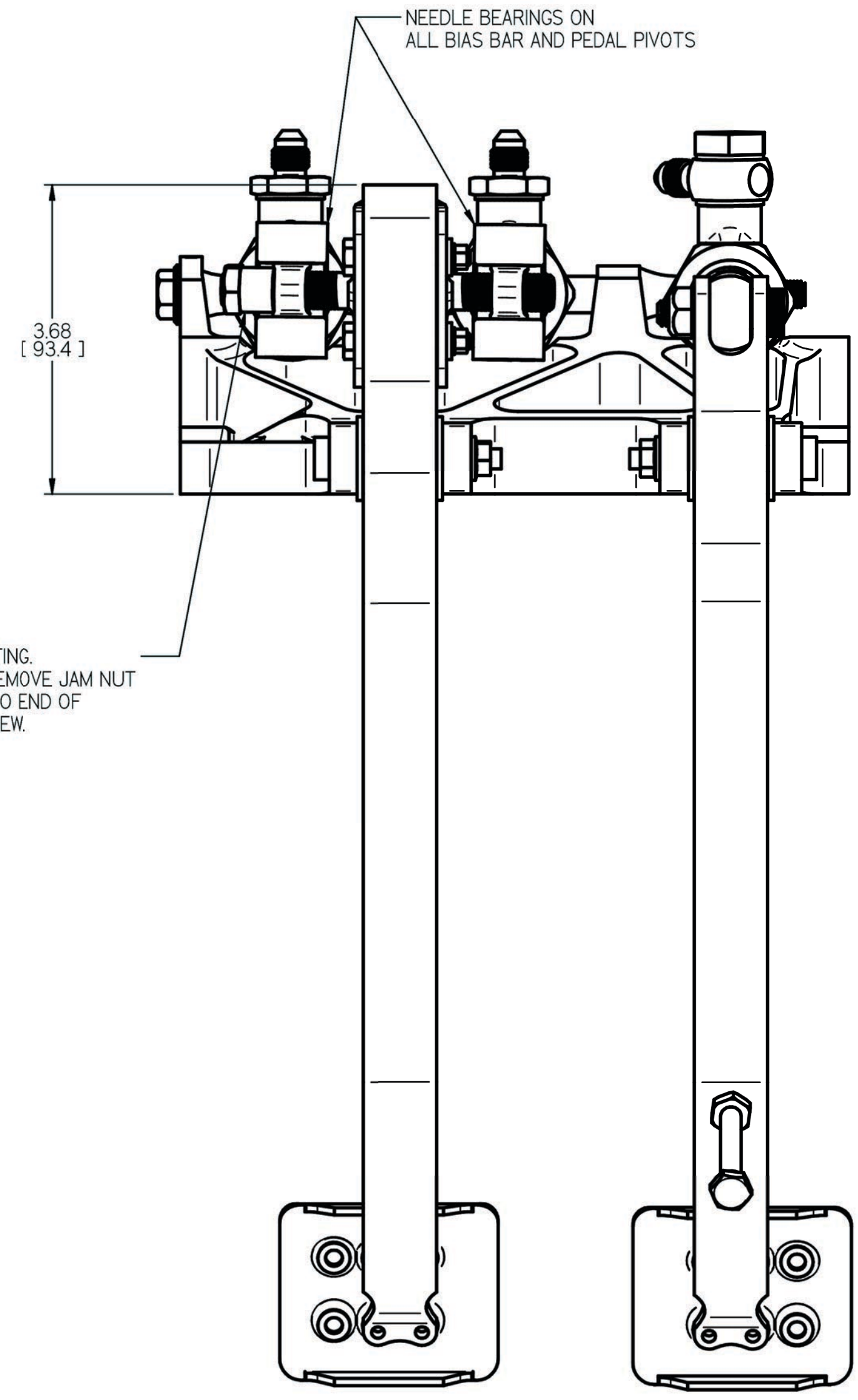


SIDE-TO-SIDE ADJUSTABLE
FOOT PADS FLIP TOP TO BOTTOM
CREATING 4 POSSIBLE POSITIONS
OVER RANGE SHOWN



3 POSITION ADJUSTABLE PEDAL RATIO.
VERTICAL POSITION ON BRAKE PEDAL:
HIGH 6.25 to 1
MIDDLE 5.37 to 1
LOW 4.70 to 1

JAM NUT SECURES BIAS BAR SETTING.
FOR REMOTE CABLE ADJUSTER, REMOVE JAM NUT
AND SECURE CABLE DIRECTLY INTO END OF
BIAS BAR WITH PROVIDED SET SCREW.



NOTES:
1. UNLESS OTHERWISE SPECIFIED, ALL DIMENSIONS ARE INCHES [MM].
2. DIMENSIONS ARE NOMINAL

TOLERANCES: UNLESS SPECIFIED OTHERWISE		MATERIAL		TILTON ENGINEERING, INC. (805)688-2353 FAX (805)688-2745	
.X ± .020	DRILL HOLES	DRN BY	CHAMBERS	CHK'D	SCALE 3 : 4
.XX ± .010	.013-.040: +.001/-.001	P/N	72-902	DATE	12/20/04
.XXX ± .005	.041-.130: +.002/-.001	DATE	12/20/04	SHEET	1 OF 2
FRACT ± 1/32	.131-.229: +.003/-.001	TITLE: INSTALLATION DRAWING		DWG 4890	
ANGLE ± 1/2°	.230-.500: +.004/-.001	OVERHUNG PIVOT MOUNT PEDAL ASSEMBLY			
CONC(TIR) .005	.501-.750: +.005/-.001				
	.751-1.000: +.007/-.001				
	1.001-2.000: +.010/-.001				

"This document contains proprietary information of TILTON ENGINEERING, INC., and its receipt or possession does not convey the rights to reproduce, disclose its contents, or to manufacture, use or sell anything it may describe. Reproduction, disclosure, or use without specific written authorization of TILTON ENGINEERING, INC. is strictly forbidden."

TILTON ENGINEERING
 INC.