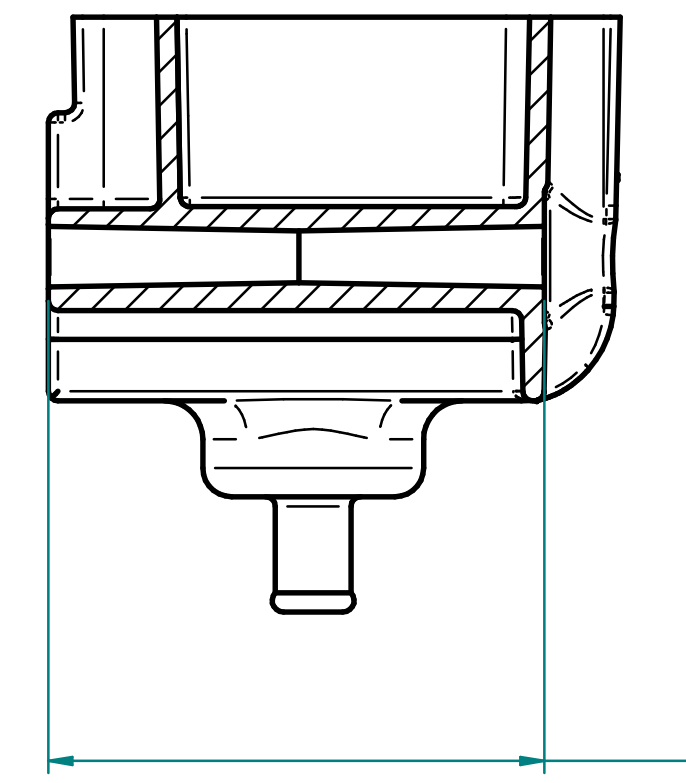
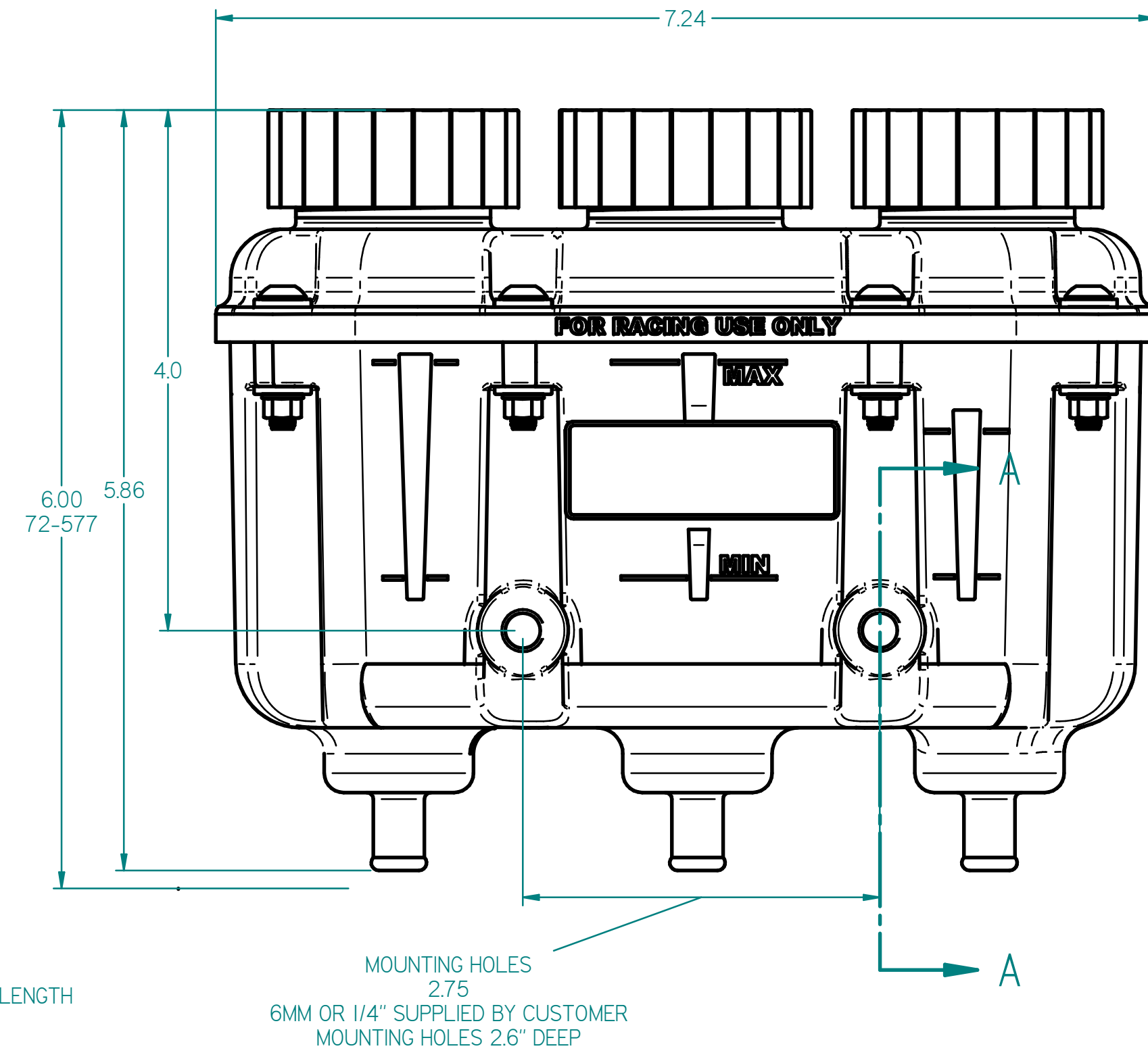
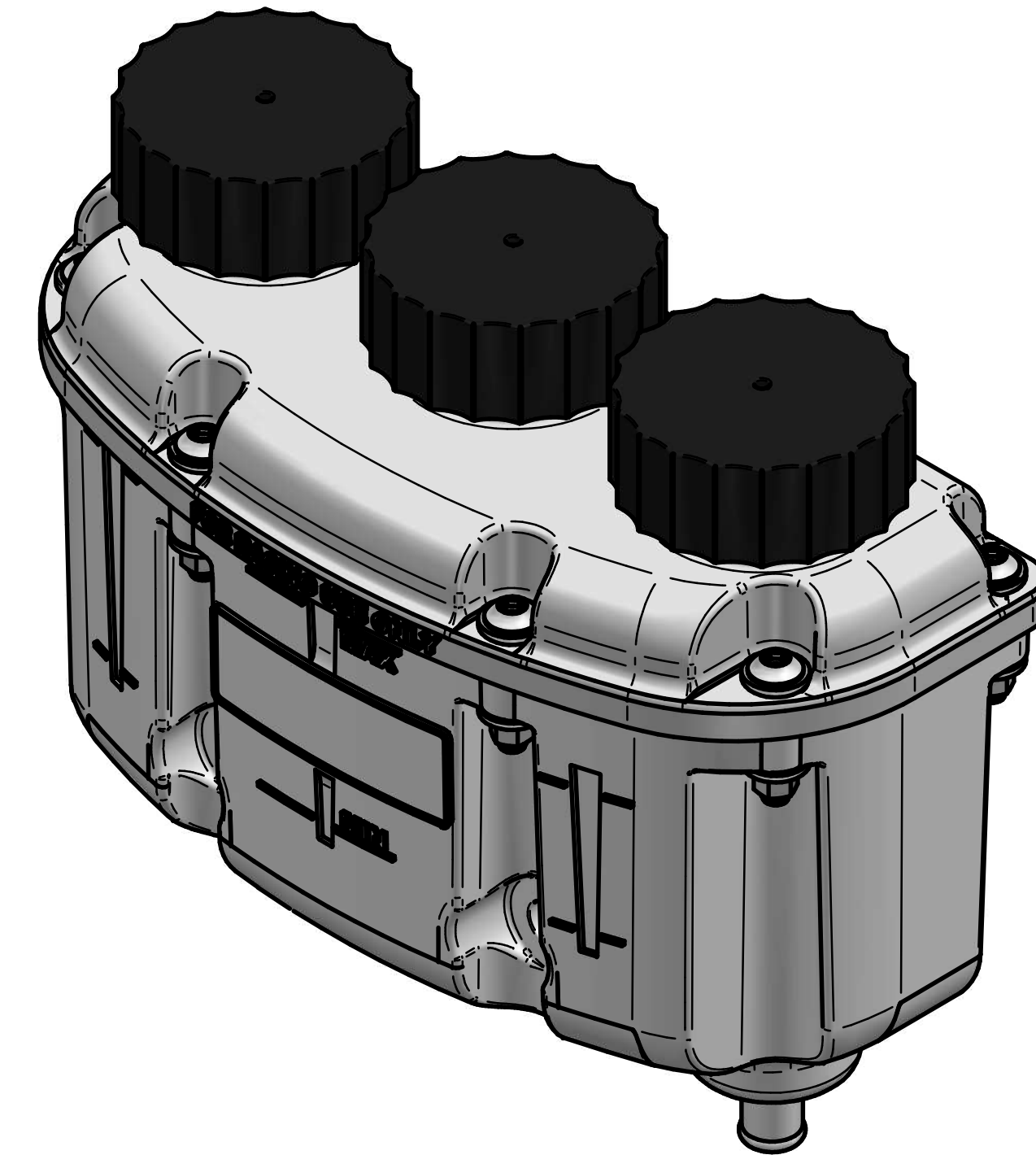
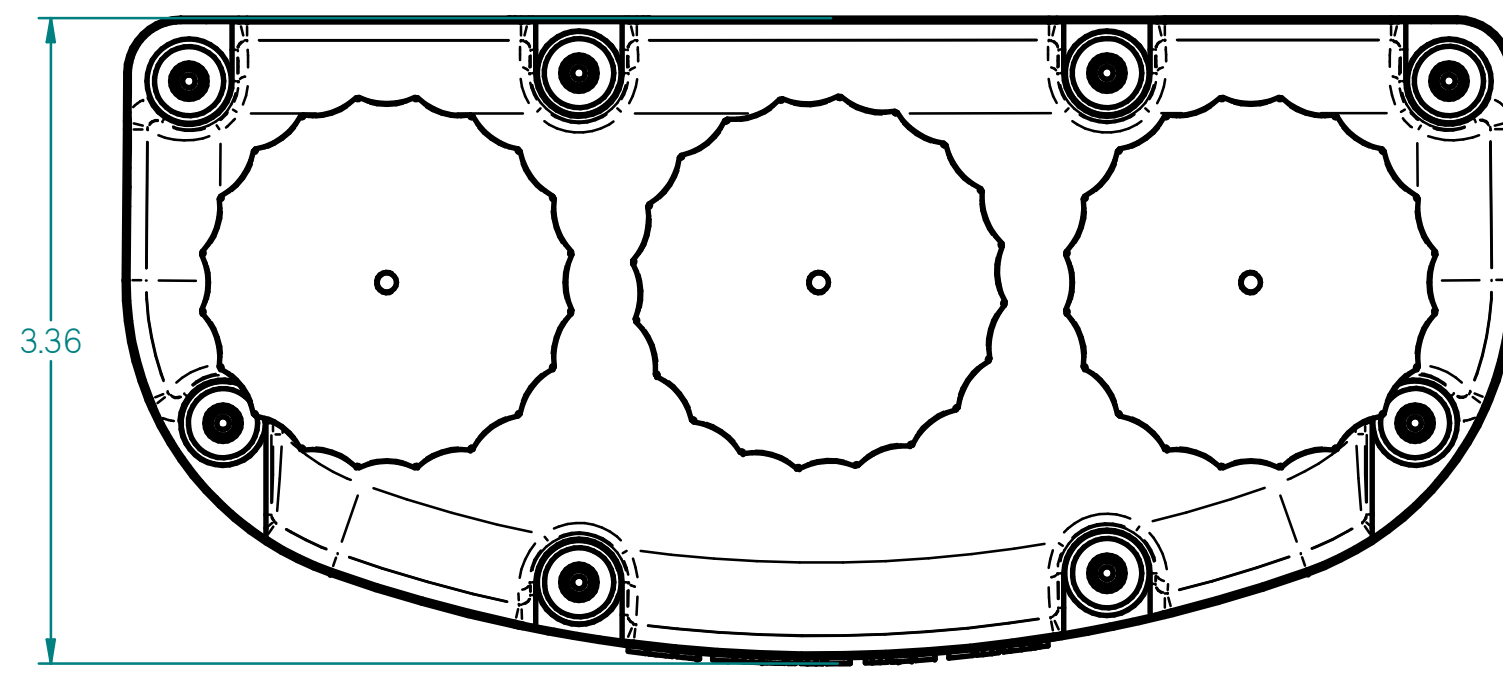
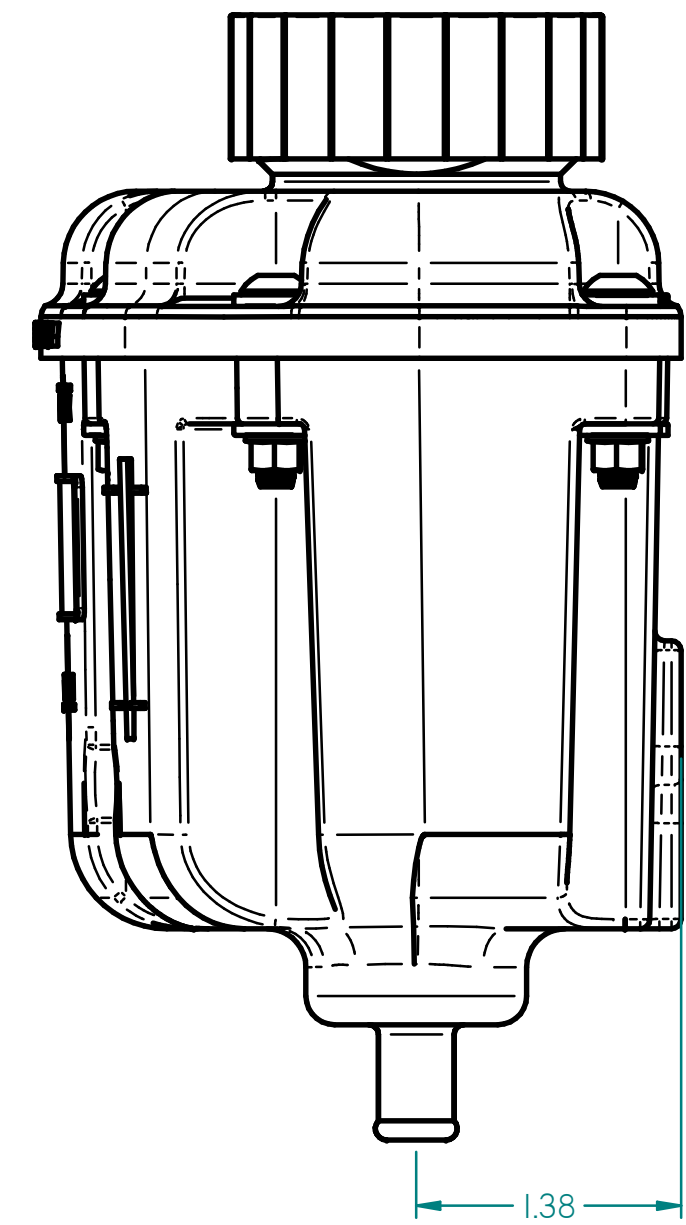


ZONE	CHK'D	DATE	REV	ECN	CHANGE OR ADDITION
ALL	CBL	4-2-12	A	779	COMPONENTS WERE REVISED, ADDED SECTION VIEW SHOWING BOLT GRIP LENGTH



2.6  
MOUNTING BOLT GRIP LENGTH

MOUNTING HOLES  
2.75  
6MM OR 1/4" SUPPLIED BY CUSTOMER  
MOUNTING HOLES 2.6" DEEP



NOTES:

TOLERANCES: UNLESS SPECIFIED OTHERWISE		MATERIAL		TILTON ENGINEERING, INC. (805)688-2353 FAX (805)688-2745	
.X ± .020	DRILL HOLES	SPEC		25 EASY STREET P.O. BOX 1787 BUELLTON, CALIFORNIA 93427 USA	
.XX ± .010	.013-.040: +.001/- .001	COND		TITLE: 3 IN 1 RESERVOIR INSTALATION DRAWING	
.XXX ± .005	.041-.130: +.002/- .001	HARD		DRN BY SCHANK CHK'D	
FRACT ± 1/32	.131-.229: +.003/- .001	FINISH		SCALE 1 : 1	DWG
ANGLE ± 1/2°	.230-.500: +.004/- .001	SPEC		P/N 72-576	DATE 8/18/08
CONC(TIR) .005	.501-.750: +.005/- .001			SHEET 1 OF 1	5356
	.751-1.000: +.007/- .001				
	1.001-2.000: +.010/- .001				

TILTON ENGINEERING INC.

"This document contains proprietary information of TILTON ENGINEERING, INC., and its receipt or possession does not convey the rights to reproduce, disclose its contents, or to manufacture, use or sell anything it may describe. Reproduction, disclosure, or use without specific written authorization of TILTON ENGINEERING, INC. is strictly forbidden."